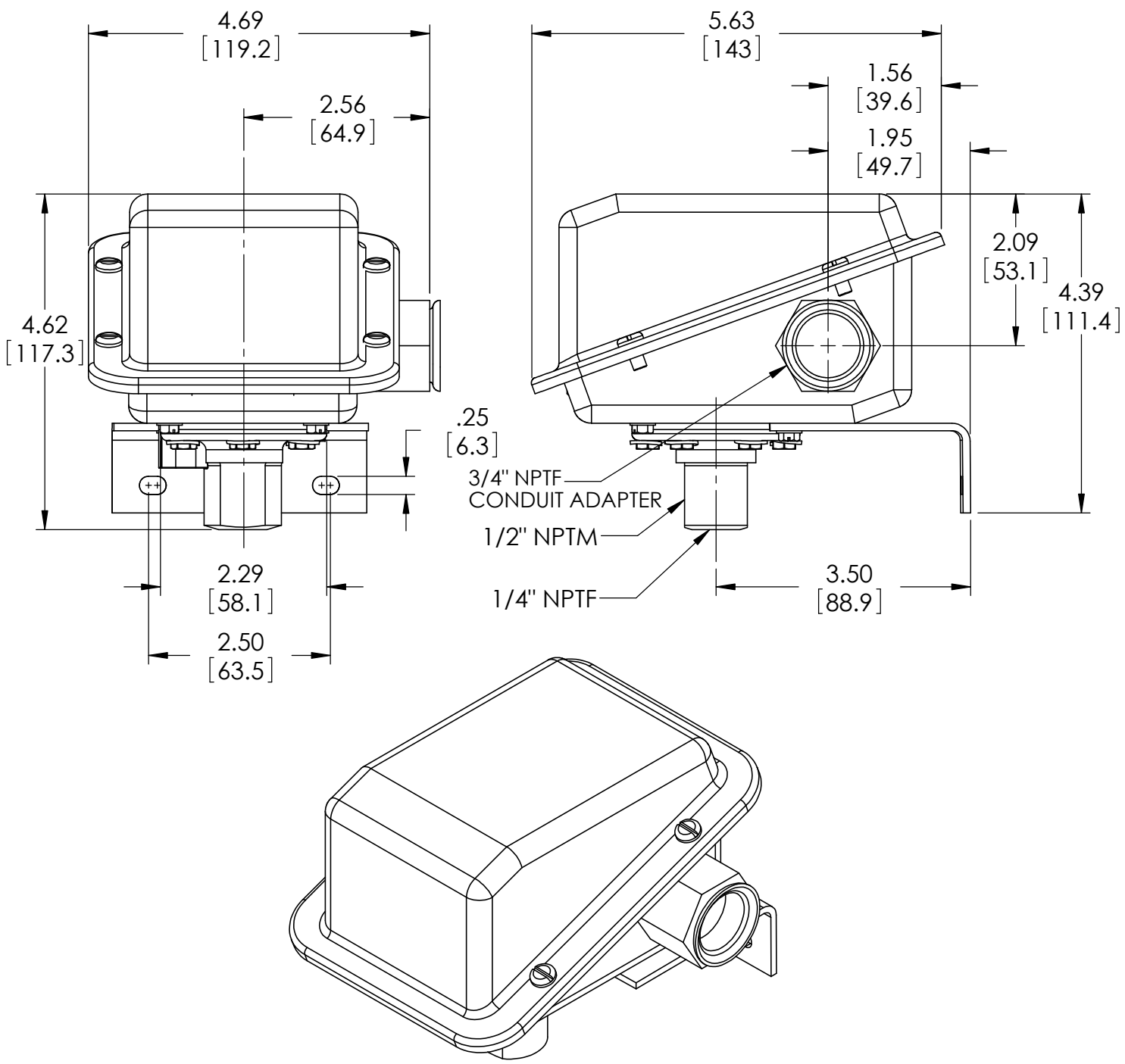


This drawing includes confidential information which is the property of ASHCROFT INC. This copy is loaned for a specific purpose, with the understanding that it will not be reproduced or used for any other purpose or disclosed to others, and it will be returned on demand.



DIMENSIONS IN [ ] ARE MILLIMETERS

REV.	ECO	DESCRIPTION	BY	DATE
A	0005029	RELEASED GENERAL DIMS.	MJS	9/3/2010

This print certified correct for		<b>General Dimensions</b>		
Customer's Name		G-Series 06 Connection Pressure Switch PSI Ranges		
Customer's Order No.	Drawn MJS	Date 9/3/10	Date of Issue	
Ashcroft Order No.	Checked	Date	SHEET-1	Rev.
Certified by	Date	Approved	Date	<b>70A3448</b>
				<b>A</b>