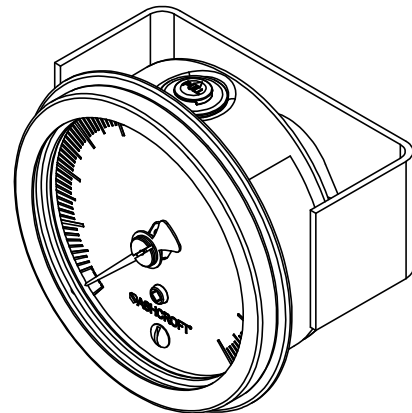
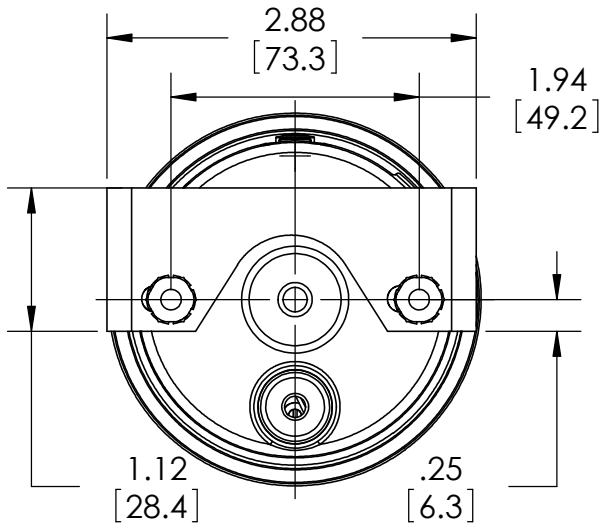
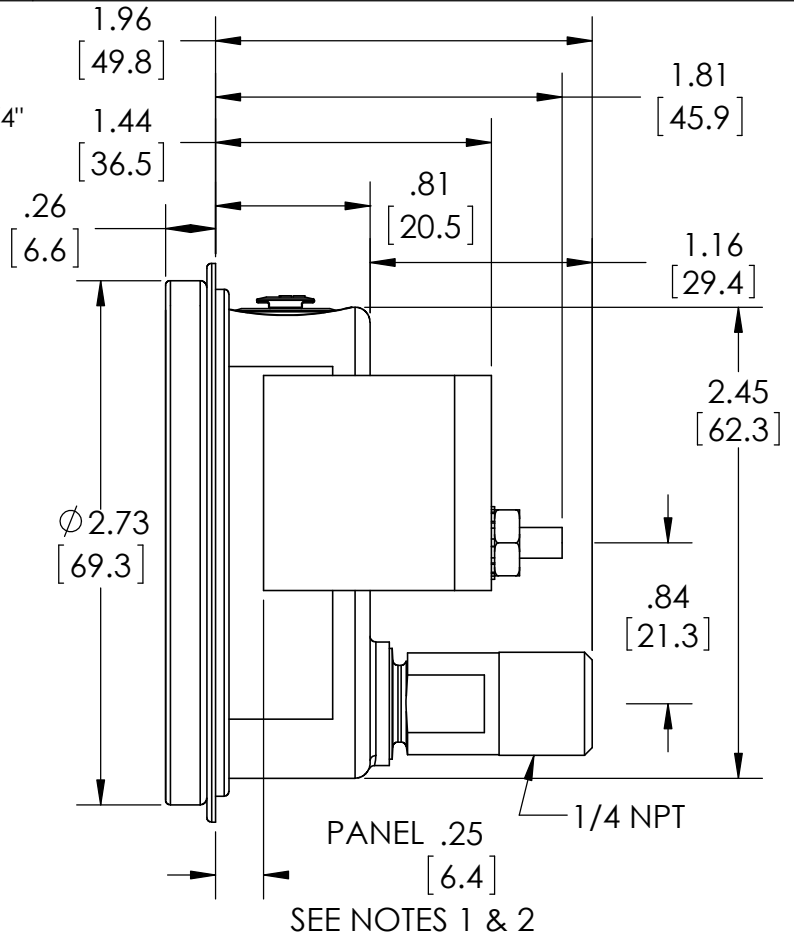
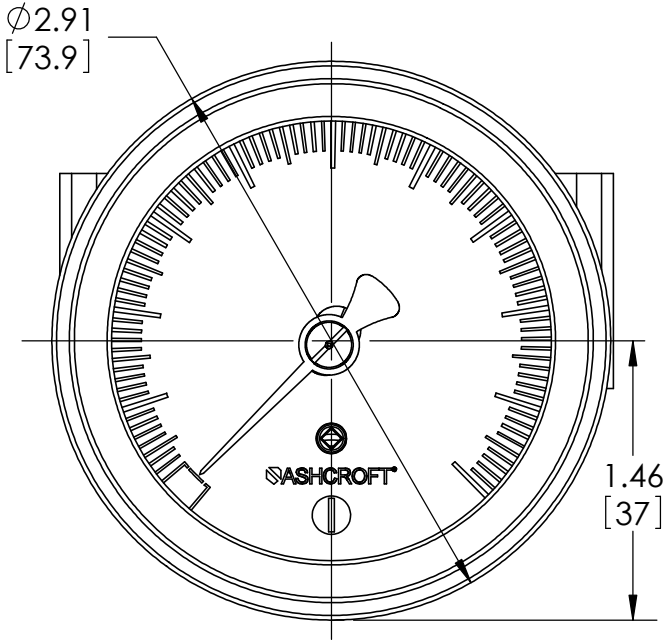


This drawing includes confidential information which is the property of ASHCROFT INC. This copy is loaned for a specific purpose, with the understanding that it will not be reproduced or used for any other purpose or disclosed to others, and it will be returned on demand.

ASHCROFT INC.

250 EAST MAIN STREET
STRATFORD, CT 06614

NOTE 1: BRACKET POSITIONED FOR 1/4" PANEL
NOTE 2: PANEL THICKNESS RANGES FROM 1/16" TO 1/4"
NOTE 3: PANEL CUTOUT: 2.53[64] +/- .03[1]



DIMENSIONS IN [] ARE MILLIMETERS

REAR VIEW

REV.	ECO	DESCRIPTION	BY	DATE
B	0006096	REVISED RING DESIGN	WGM	11/27/2012

This print certified correct for Customer's Name		General Dimensions			
		63 1008S 02B XJC SERIES			
Customer's Order No.		Drawn MJS	Date 6/23/10	Date of Issue	
Ashcroft Order No.		Checked	Date	SHEET-1	Rev.
Certified by	Date	Approved	Date	70A3071	B