

This drawing includes confidential information which is the property of ASHCROFT INC. This copy is loaned for a specific purpose, with the understanding that it will not be reproduced or used for any other purpose or disclosed to others, and it will be returned on demand.

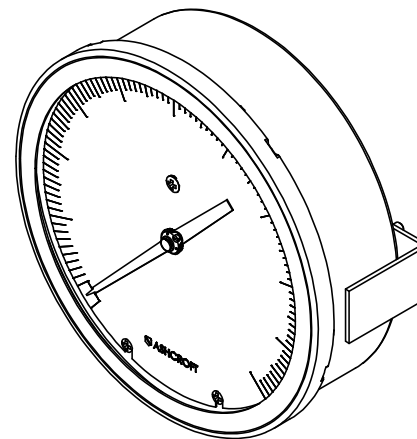
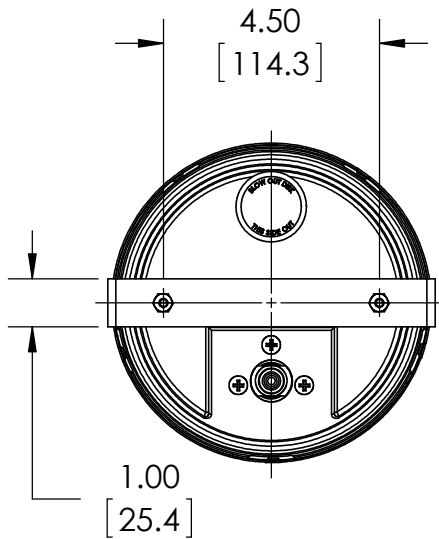
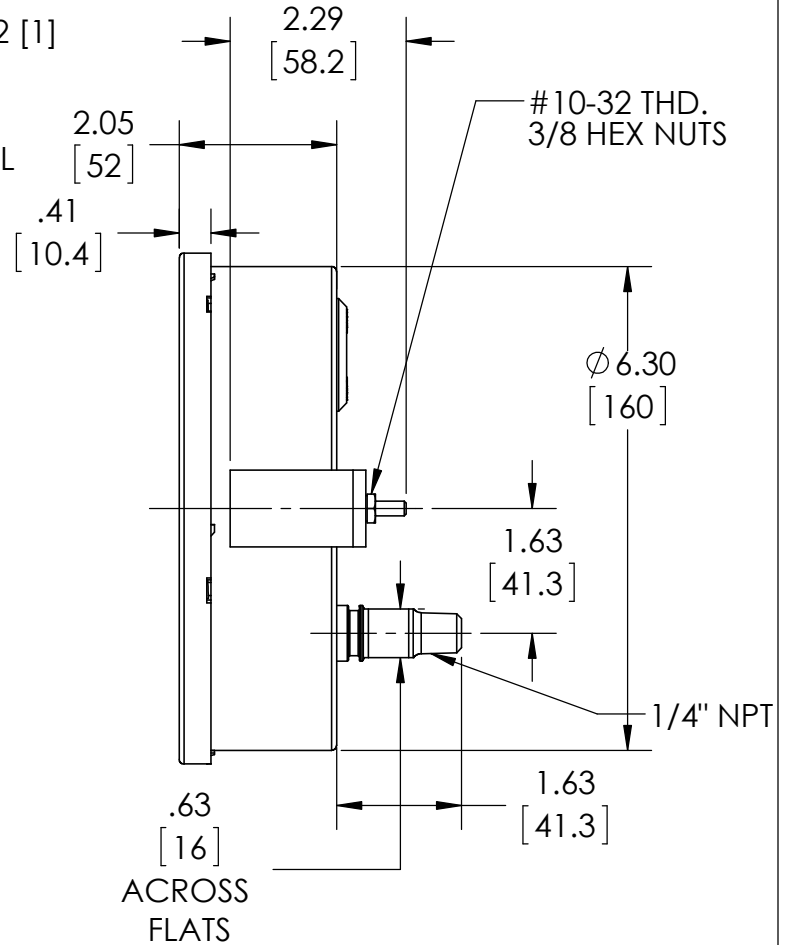
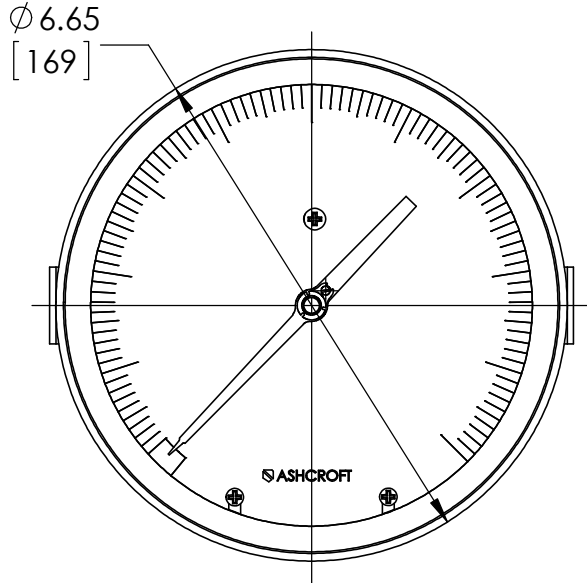
**ASHCROFT** INC.

250 EAST MAIN STREET  
STRATFORD, CT 06614

NOTE 1: PANEL CUTOUT-  $\varnothing 6.4375[163] \pm 1/32 [1]$

NOTE 2: PANEL THICKNESS-  $1/16 [2]$  TO  $1/4 [6]$

NOTE 3: BRACKET POSITIONED FOR  $1/4"$  PANEL



DIMENSIONS IN [ ] ARE MILLIMETERS

REV.	ECO	DESCRIPTION	BY	DATE
A	0004508	RELEASED GENERAL DIMS.	MJS	6/23/2011

This print certified correct for		General Dimensions		
Customer's Name		60 1009 02B XUC VARIATION		
Customer's Order No.	Drawn MJS	Date 6/23/11	Date of Issue	
Ashcroft Order No.	Checked	Date	SHEET-1	Rev.
Certified by	Date	Approved	Date	<b>70A3503</b>
				<b>A</b>