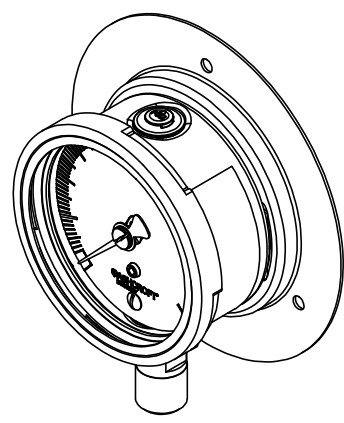
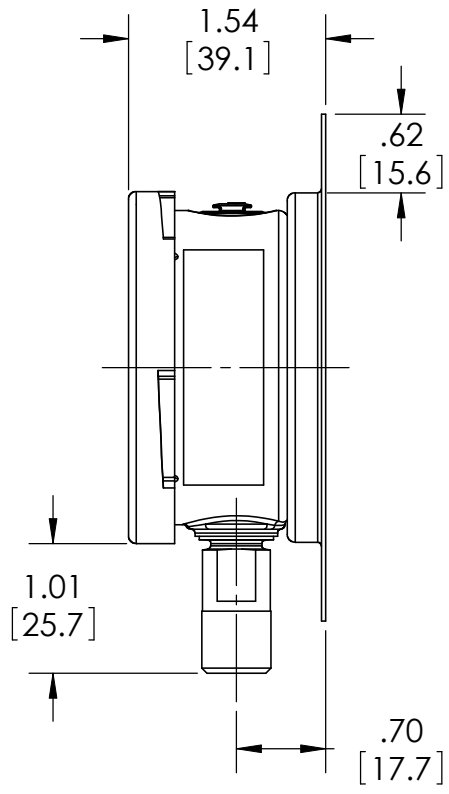
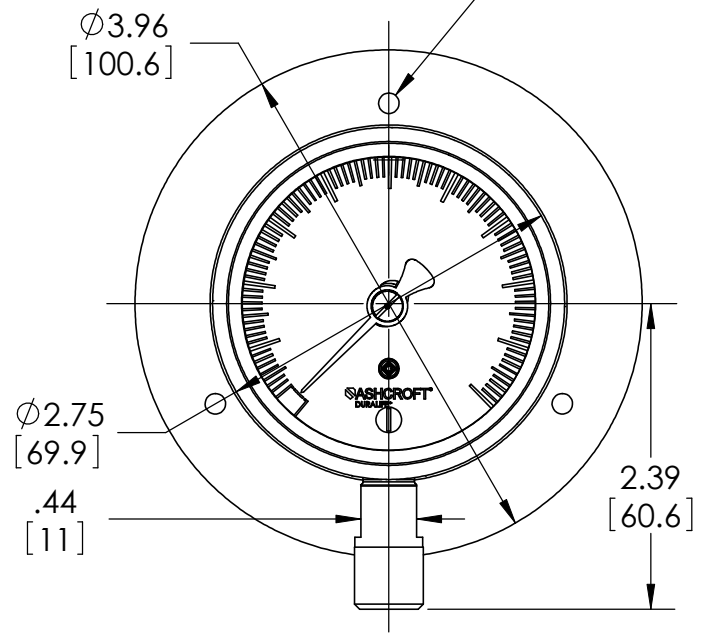


This drawing includes confidential information which is the property of ASHCROFT INC. This copy is loaned for a specific purpose, with the understanding that it will not be reproduced or used for any other purpose or disclosed to others, and it will be returned on demand.

3 HOLES  $\phi$  .16 [4.1]  
EQUALLY SPACED 120° ON  
A  $\phi$  3.13 [79.5] BOLT CIRCLE



DIMENSIONS IN [ ] ARE MILLIMETERS

REV.	ECO	DESCRIPTION	BY	DATE
A	0004508	RELEASED GENERAL DIMS. FOR 25 1009 02L XFW	MJS	6/23/2010

This print certified correct for Customer's Name		<b>General Dimensions</b> 25 1009 02L XFW SERIES DURALIFE			
Customer's Order No.		Drawn MJS	Date 6/23/10	Date of Issue	
Ashcroft Order No.		Checked	Date	SHEET-1	Rev.
Certified by	Date	Approved	Date	<b>70A3066</b>	<b>A</b>