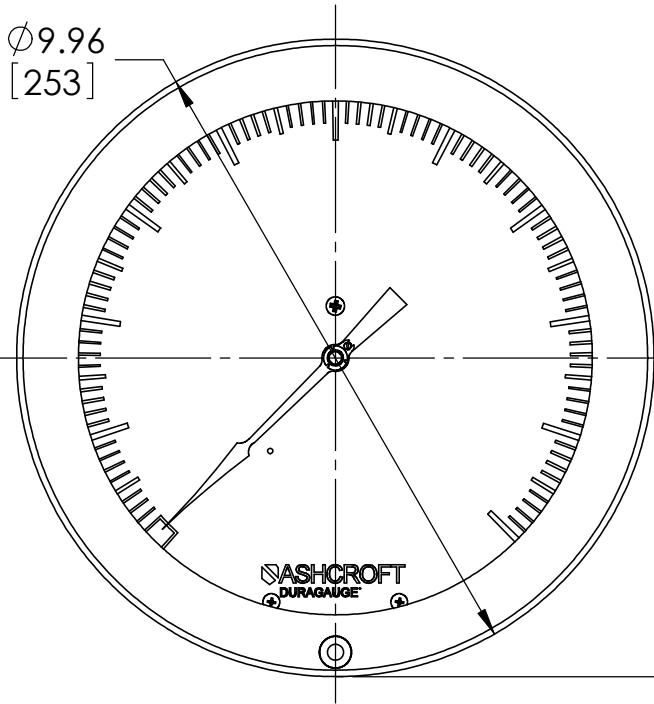


This drawing includes confidential information which is the property of ASHCROFT INC. This copy is loaned for a specific purpose, with the understanding that it will not be reproduced or used for any other purpose or disclosed to others, and it will be returned on demand.

**ASHCROFT** INC.

250 EAST MAIN STREET  
STRATFORD, CT 06614

Ø9.96  
[253]



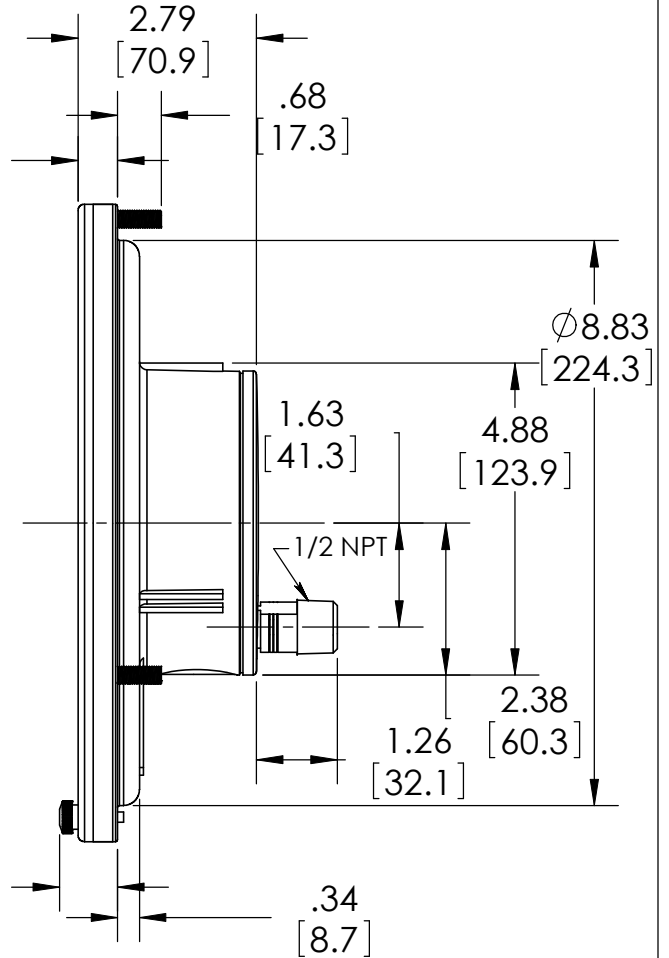
4.98  
[126.5]

.91  
[23.1]

2.79  
[70.9]

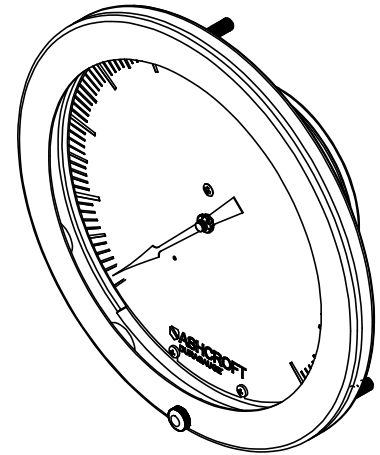
.62  
[15.7]

.68  
[17.3]



Note: 3 Mounting studs threaded equally spaced on a 9.625" [244] Bolt Circle.

DIMENSIONS IN [ ] ARE MILLIMETERS



REV.	ECO	DESCRIPTION	BY	DATE
A	0004455	RELEASED GENERAL DIMS. FOR 85 1377 04B	MJS	5/26/2010

This print certified correct for		General Dimensions		
Customer's Name		85 1377 04B SERIES		
		FLUSH MOUNTED DURAGAUGE		
Customer's Order No.	Drawn MJS	Date 5/26/10	Date of Issue	
Ashcroft Order No.	Checked	Date	SHEET-1	Rev.
Certified by	Date	Approved	Date	<b>70A3024</b>
				<b>A</b>