

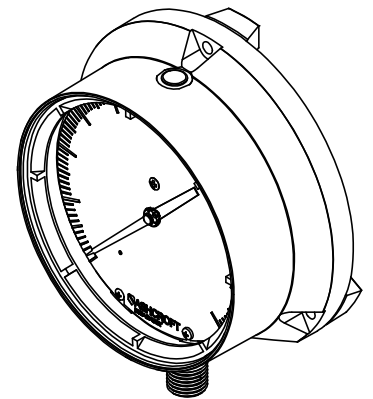
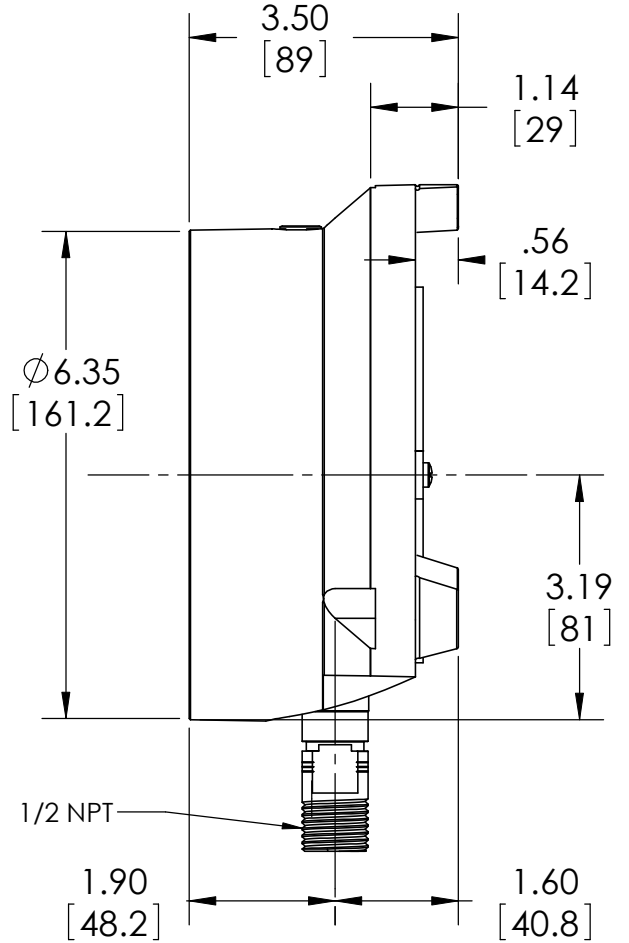
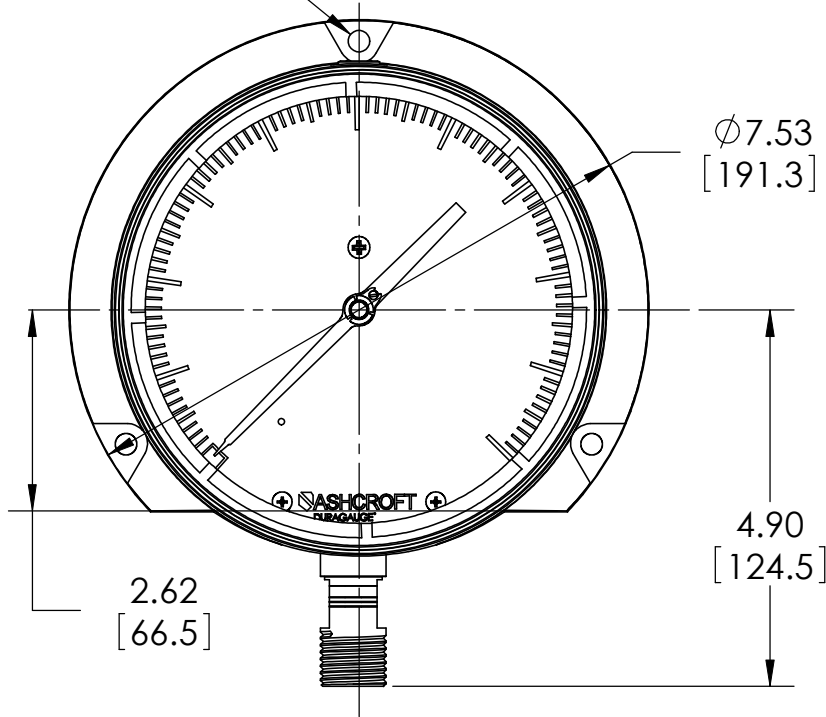


This drawing includes confidential information which is the property of ASHCROFT INC. This copy is loaned for a specific purpose, with the understanding that it will not be reproduced or used for any other purpose or disclosed to others, and it will be returned on demand.

ASHCROFT® INC.

250 EAST MAIN STREET
STRATFORD, CT 06614

3 HOLES $\phi .24$ [5.5]
EQUALLY SPACED 120° ON
A $\phi 5.375$ " (137) BOLT CIRCLE



DIMENSIONS IN [] ARE MILLIMETERS

REV.	ECO	DESCRIPTION	BY	DATE
A	0004455	RELEASED GENERAL DIMS. FOR 60 1379 04L	MJS	5/28/2010

This print certified correct for		General Dimensions			
Customer's Name		60 1379 04L SERIES			
		TURRET CASE DURAGAUGE			
Customer's Order No.		Drawn MJS	Date 5/28/10	Date of Issue	
Ashcroft Order No.		Checked	Date	SHEET-1	
Certified by	Date	Approved	Date	70A3033	A