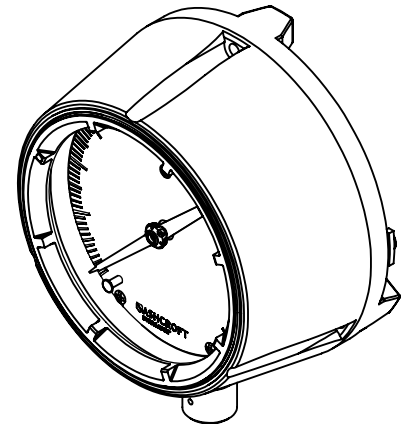
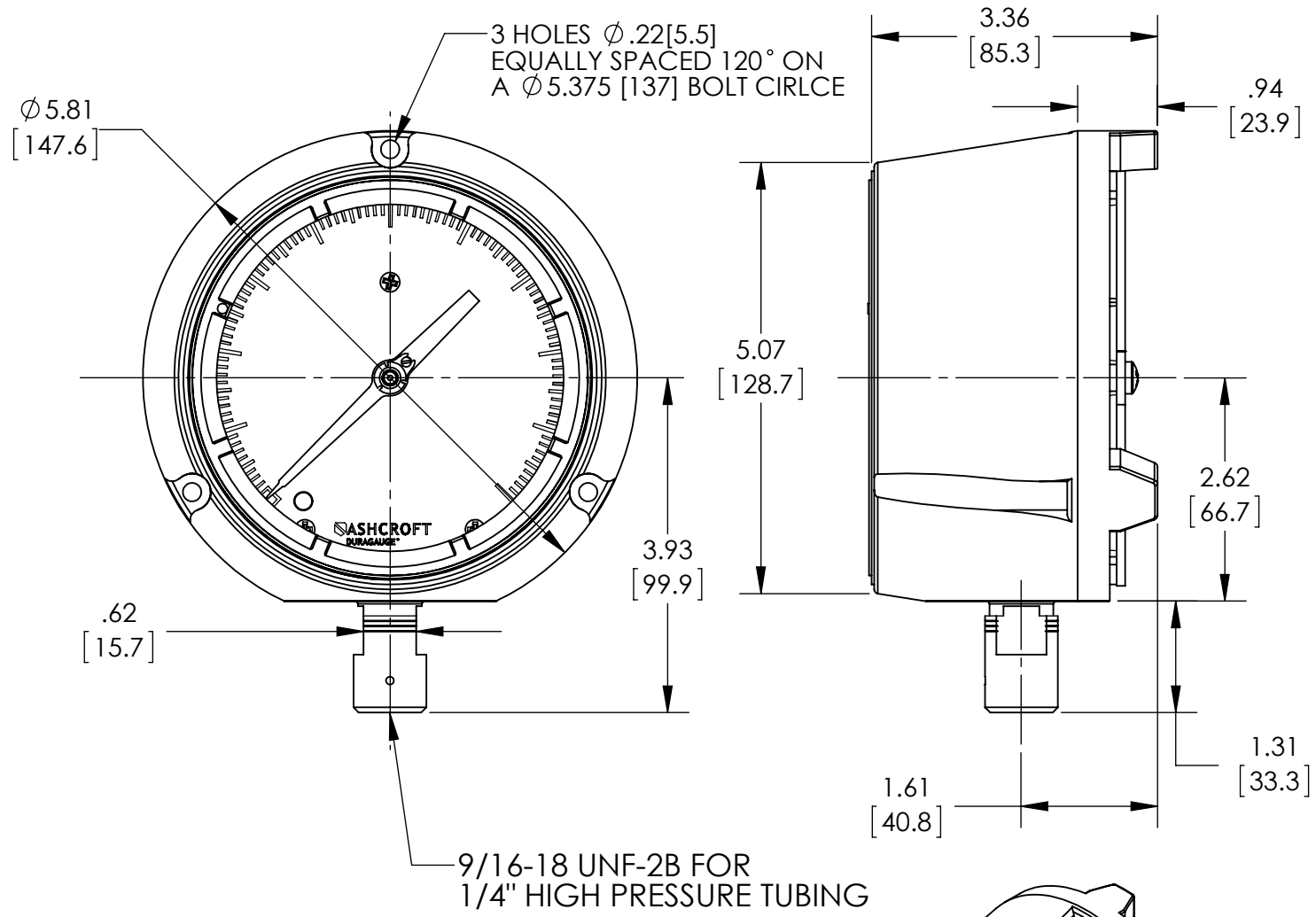


This drawing includes confidential information which is the property of ASHCROFT INC. This copy is loaned for a specific purpose, with the understanding that it will not be reproduced or used for any other purpose or disclosed to others, and it will be returned on demand.



DIMENSIONS IN [ ] ARE MILLIMETERS

REV.	ECO	DESCRIPTION	BY	DATE
A	7295	RELEASED GENERAL DIMS.	JDB	6/9/2014

This print certified correct for		General Dimensions		
Customer's Name		45 1279 09L SERIES		
		TURRET CASE DURAGAUGE		
Customer's Order No.	Drawn JDB	Date 6/9/2014	Date of Issue	
Ashcroft Order No.	Checked	Date	SHEET-1	Rev.
Certified by	Date	Approved	Date	<b>70A3994</b>
				<b>A</b>