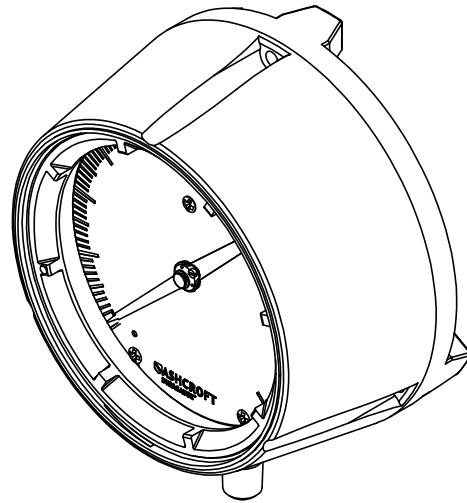
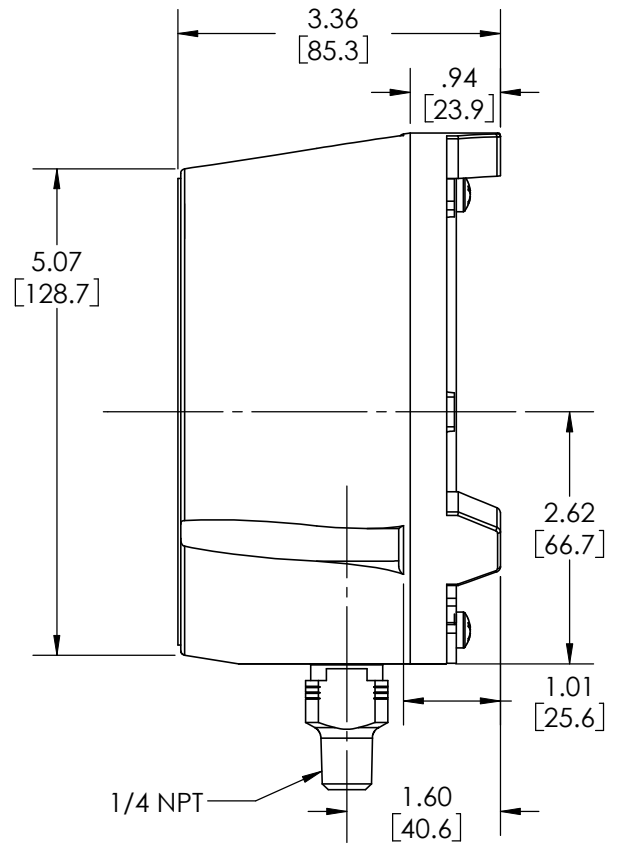
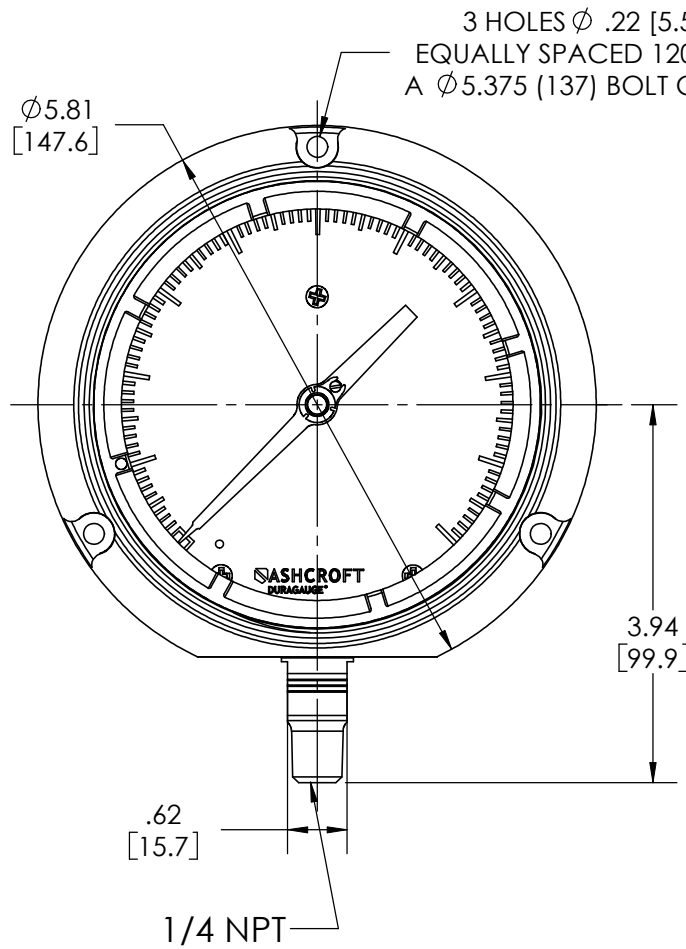


This drawing includes confidential information which is the property of ASHCROFT INC. This copy is loaned for a specific purpose, with the understanding that it will not be reproduced or used for any other purpose or disclosed to others, and it will be returned on demand.

**ASHCROFT** INC.

250 EAST MAIN STREET  
STRATFORD, CT 06614



DIMENSIONS IN [ ] ARE MILLIMETERS.

| REV | ECO     | DESCRIPTION                             | BY  | DATE    |
|-----|---------|---|-----|---------|
| H   | 0004455 | REDRAWN & REDEFINED AS 45 1279 02L ONLY | MJS | 5/20/10 |

|                                  |           |                           |               |               |          |
|----------------------------------|-----------|---------------------------|---------------|---------------|----------|
| This print certified correct for |           | <b>GENERAL DIMENSIONS</b> |               |               |          |
| Customer's Name                  |           | 45 1279 02L SERIES        |               |               |          |
|                                  |           | TURRET CASE DURAGAUGE     |               |               |          |
| Customer's Order No.             | Drawn MJS | Date 5/20/10              | Date of Issue |               |          |
| Ashcroft Order No.               | Checked   | Date                      | SHEET-1       |               | Rev.     |
| Certified by                     | Date      | Approved                  | Date          | <b>70A917</b> | <b>H</b> |