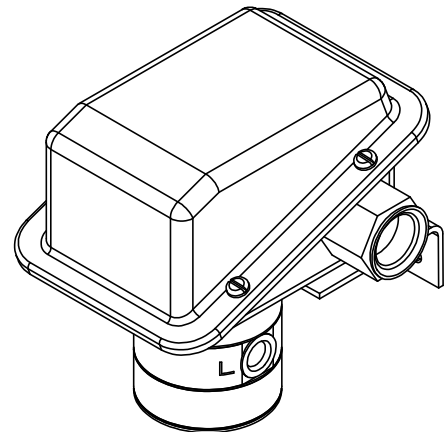
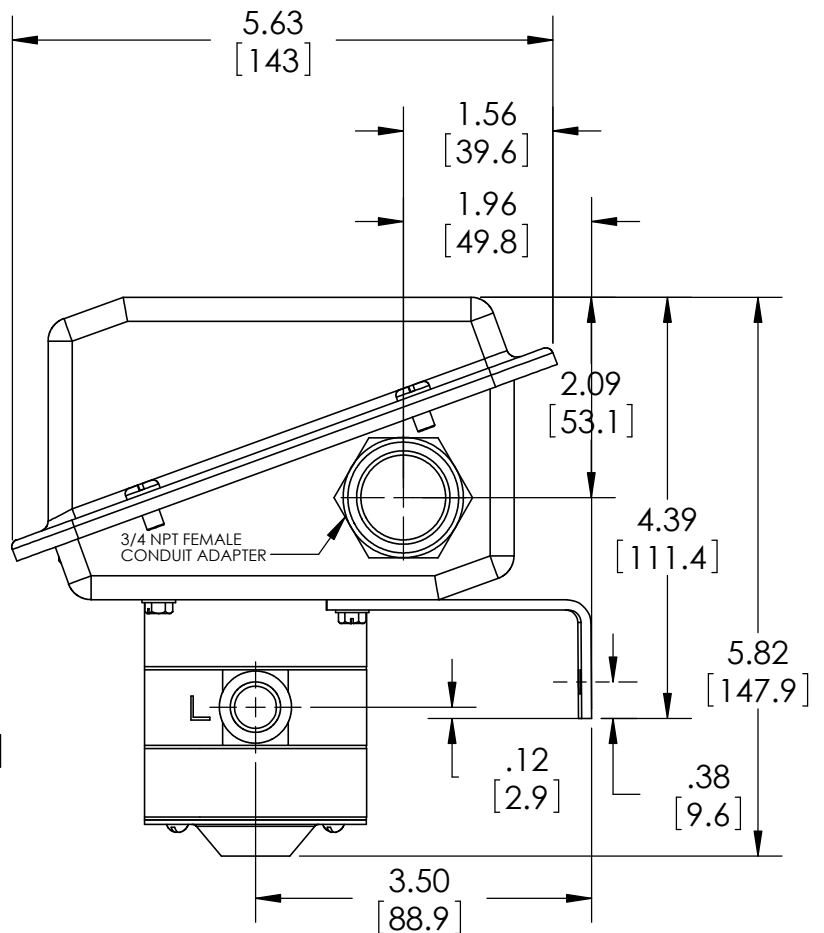
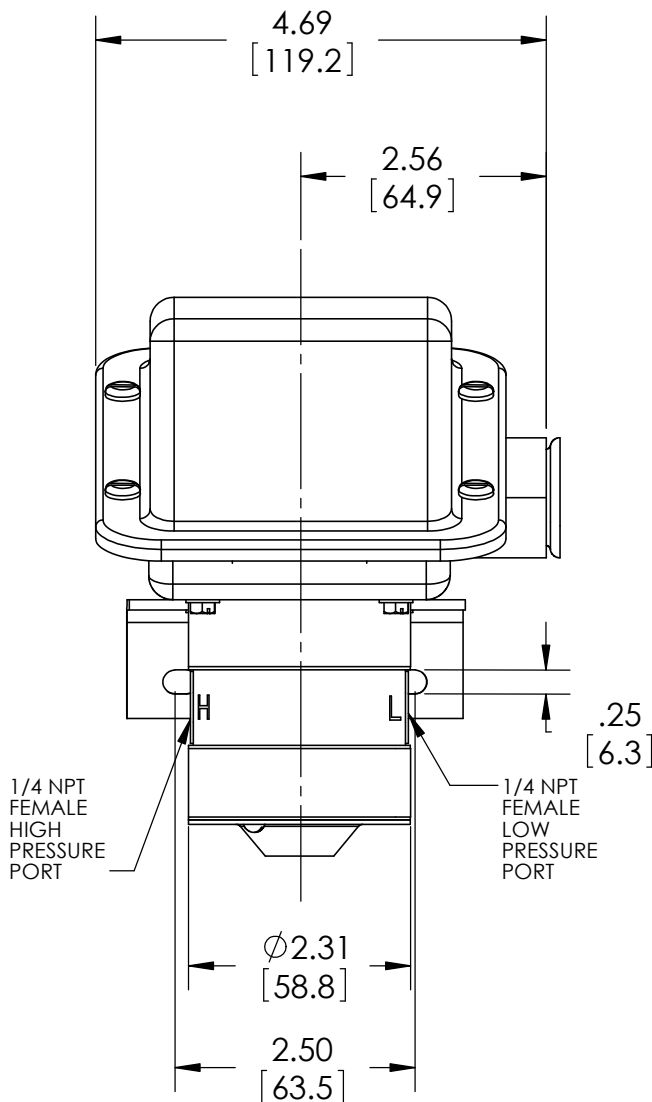


This drawing includes confidential information which is the property of ASHCROFT INC. This copy is loaned for a specific purpose, with the understanding that it will not be reproduced or used for any other purpose or disclosed to others, and it will be returned on demand.

ASHCROFT INC.

250 EAST MAIN STREET
STRATFORD, CT 06614



- Notes:
1. Housing Material: 316 Stainless Steel Standard
 2. Housing Color: 316 Stainless Steel
 3. Process Connection/Lower Housing: 316 Stainless Steel

DIMENSIONS IN [] ARE MILLIMETERS

REV.	ECO	DESCRIPTION	BY	DATE
A	0005029	RELEASED GENERAL DIMENSIONS	MJS	7/8/2010

This print certified correct for		General Dimensions			
Customer's Name		G-Series Differential Pressure Switch PSID Ranges			
Customer's Order No.	Drawn MJS	Date 7/8/10	Date of Issue		
Ashcroft Order No.	Checked	Date	SHEET-1		Rev.
Certified by	Date	Approved	Date	70A3077	A