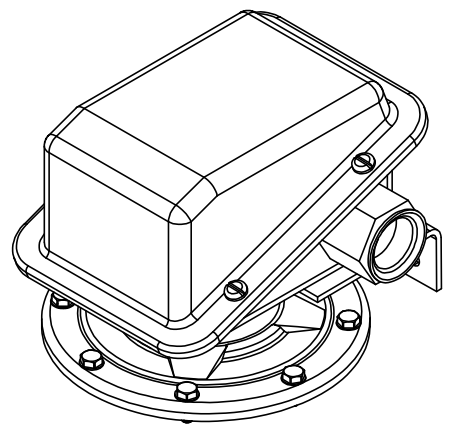
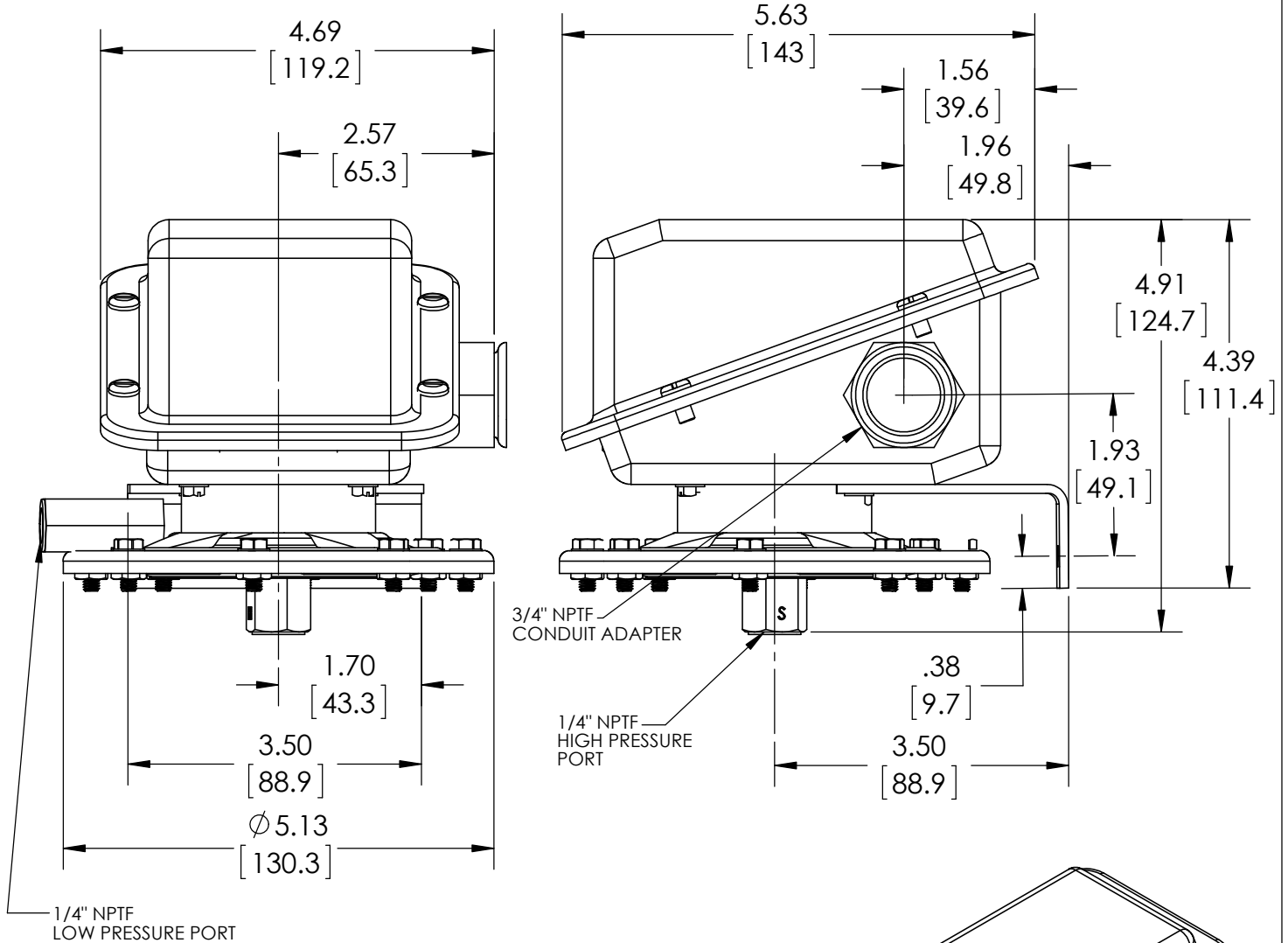




This drawing includes confidential information which is the property of ASHCROFT INC. This copy is loaned for a specific purpose, with the understanding that it will not be reproduced or used for any other purpose or disclosed to others, and it will be returned on demand.

ASHCROFT® INC.

250 EAST MAIN STREET
STRATFORD, CT 06614



Notes:

1. Housing Material: 316 Stainless Steel Standard
2. Housing Color: 316 Stainless Steel
3. Process Connection/Lower Housing: 316 Stainless Steel

DIMENSIONS IN [] ARE MILLIMETERS

| REV. | ECO | DESCRIPTION | BY | DATE |
|------|---------|-----------------------------|-----|----------|
| A | 0005029 | RELEASED GENERAL DIMENSIONS | MJS | 7/8/2010 |

| | | | | | |
|---|------|--|-------------|---------------|----------|
| This print certified correct for Customer's Name | | General Dimensions | | | |
| | | G-Series Differential Pressure Switch Inches of Water Differential Ranges | | | |
| Customer's Order No. | | Drawn MJS | Date 7/8/10 | Date of Issue | |
| Ashcroft Order No. | | Checked | Date | SHEET-1 | |
| Certified by | Date | Approved | Date | 703076 | A |