

## Type 1009SW Stainless Case Gauge and Stainless Steel System with Tubing Connections



### FEATURES

- *Easier gauge alignment*
- *Patented PowerFlex™ movement*
- *All stainless steel welded construction*
- *True Zero™ pointer indication*
- *NEW ventable plug*
- *NEW patent pending through-dial calibration*
- *NEW MSL helium leak tested to 1X10<sup>-6</sup> ATM<sup>-cc/sec</sup>*
- *Meets ASME B40.100 standard*
- *RoHS Compliant*
- *CRN Approved*
- *5 year limited warranty*

Ashcroft now offers the highly successful Type 1009SW (2½" and 3½") with ¼" and 6 mm tubing connections. These connections are compatible with all major tube fitting manufacturers.

**NEW!**  
Now With Tubing  
Connection

### PRODUCT SPECIFICATIONS

<b>Ashcroft Type No.:</b>	1009SW
<b>Sizes:</b>	2½" (63mm), 3½" (100mm)
<b>Case:</b>	304SS
<b>Ring:</b>	304SS polished bayonet
<b>Window:</b>	Polycarbonate
<b>Dial:</b>	Black figures on white background, aluminum
<b>Pointer:</b>	Friction adjust, black, aluminum
<b>Bourdon Tube:</b>	316L stainless steel C-Shaped (Vacuum-600 psi and compound) Helical (1000-15,000 psi)
<b>Socket:</b>	316L Stainless Steel
<b>Movement:</b>	300 series stainless steel, PowerFlex™, polyester segment, overload/underload stops
<b>Connections:</b>	¼" tubing connection 6mm tubing connection. These connections are not available with throttle plugs
<b>Ranges:</b>	Vacuum, compound and ranges to 7500 psi <sup>(2)</sup>
<b>Accuracy:</b>	1% full scale. ASME Grade 1A <sup>(1)</sup>
<b>Fill Plug:</b>	Ventable
<b>Protection:</b>	Nema 4X / IP65 plug sealed Nema 3 / IP54 plug vented

	Ambient	Process	Storage
<b>Dry</b>	-40 to 200°F	-40 to 250°F	-40 to 250°F
<b>Glycerin</b>	20 to 150°F	20 to 200°F	0 to 150°F
<b>Silicone</b>	-40 to 150°F	-40 to 200°F	-40 to 150°F
<b>Halocarbon</b>	-40 to 150°F	-40 to 200°F	-40 to 150°F

### OPTIONAL FEATURES

<b>Liquid fill<sup>(1)</sup>:</b>	Glycerin, Silicone, Halocarbon
<b>Dampening:</b>	PLUS!™ Performance (LL)
<b>Window:</b>	Safety Glass (SG)
<b>Pointer:</b>	Micrometer (MP)
<b>Mounting:</b>	U-clamp (UC), Front flange (FF), Back flange (FW)
<b>Dials:</b>	Receiver ranges, refrigerant ranges. Custom dials
<b>Oxygen Clean Service:</b>	to ASME B40.100 Level IV (X6B) (dry gauge only)
<b>Free From Oil:</b>	(X6W)

<sup>(1)</sup>When these gauges are liquid filled the total gauge accuracy may be as much as 1.5%

<sup>(2)</sup>Based on wall thickness of the gauge socket

### HOW TO ORDER (Typical example)

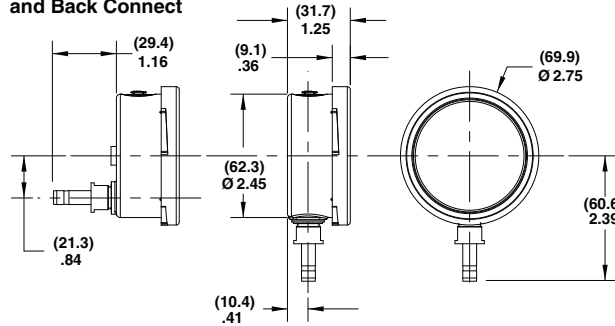
	25	1009	SW (L)	JP L	XXX	100#
<b>Dial Size:</b> 2½" (25), 3½" (35)	_____	_____	_____	_____	_____	_____
<b>Case Type:</b> 1009	_____	_____	_____	_____	_____	_____
<b>Tube and Socket Material:</b> 316L SS	_____	_____	_____	_____	_____	_____
<b>Liquid Filled:</b> (glycerin) leave blank if dry	_____	_____	_____	_____	_____	_____
<b>Connection Size:</b> ¼" tubing (JP), 6mm tubing (JQ)	_____	_____	_____	_____	_____	_____
<b>Connection Location:</b> Lower (L), Lower Back (B)	_____	_____	_____	_____	_____	_____
<b>Options:</b>	_____	_____	_____	_____	_____	_____
<b>Range:</b> 0/100 psi	_____	_____	_____	_____	_____	_____

# Type 1009SW Stainless Case Gauge and Stainless Steel System with Tubing Connections

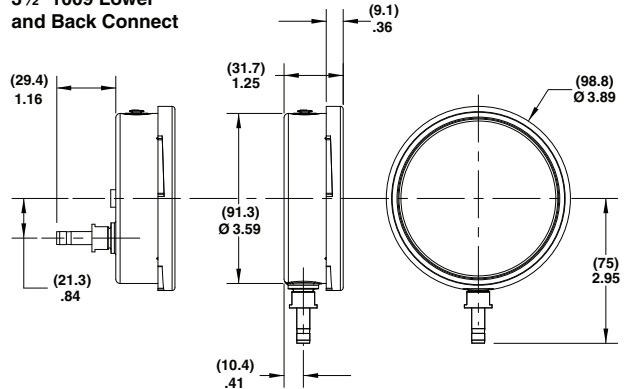


## DIMENSIONS

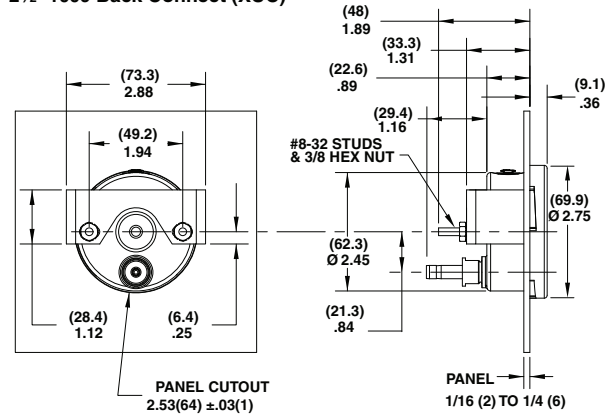
**2 1/2" 1009 Lower and Back Connect**



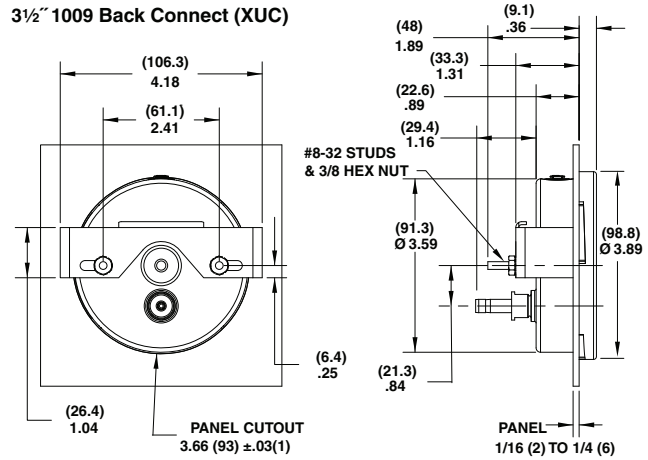
**3 1/2" 1009 Lower and Back Connect**



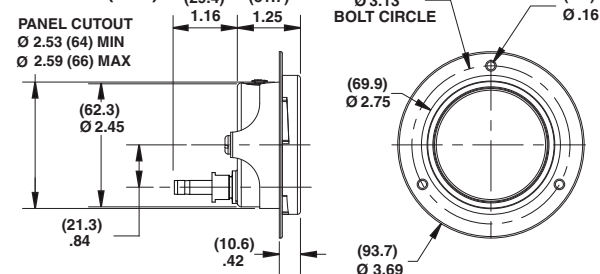
**2 1/2" 1009 Back Connect (XUC)**



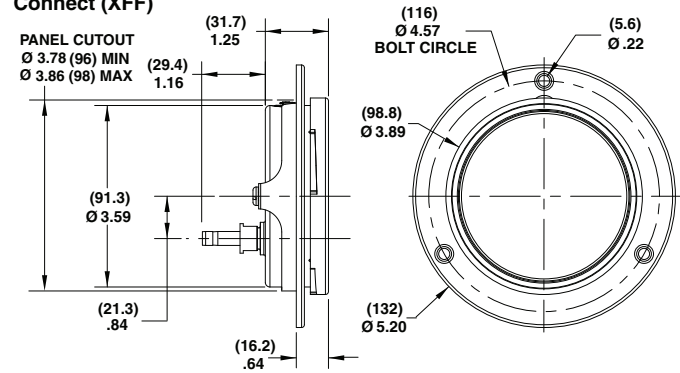
**3 1/2" 1009 Back Connect (XUC)**



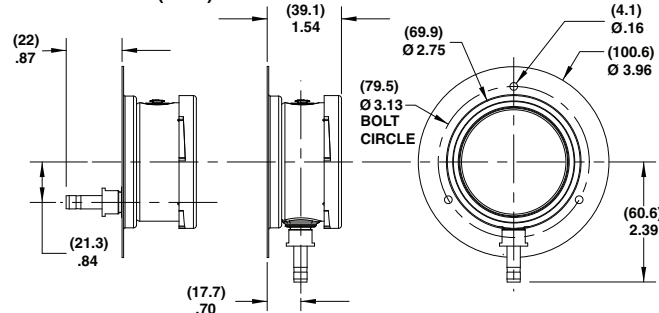
**2 1/2" 1009 Back Connect (XFF)**



**3 1/2" 1009 Back Connect (XFF)**



**2 1/2" 1009 Lower and Back Connect (XFW)**



**3 1/2" 1009 Lower and Back Connect (XFW)**

