

Truncated type flanged diaphragm seal model DT

Flanged connections to ANSI/ASME or EN

Features

- Welded diaphragm seal
- Variety of wetted parts materials
- Filling port in the upper housing
- Suitable for pressure gauges, switches and transmitters

Flange size

DN50, DN80 and DN100
2", 3" and 4"

Pressure rating

From PN16 up to PN40
From 150 lbs up to 300 lbs

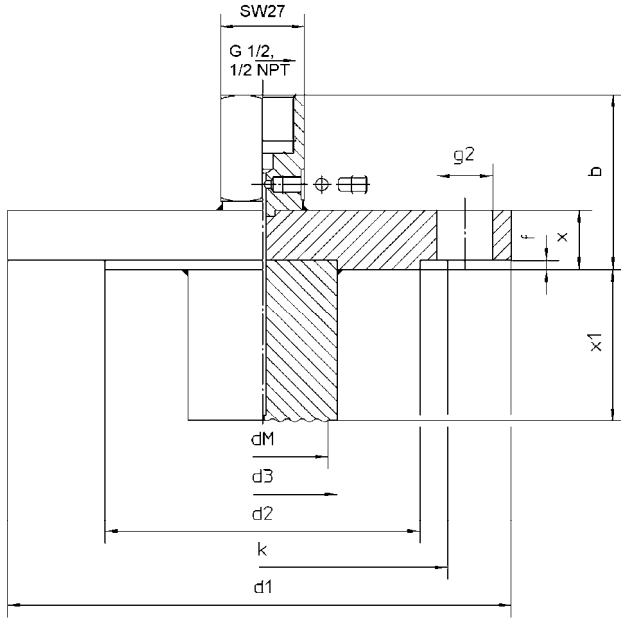
Applications

Chemical and petrochemical industry
Machine and apparatus construction
Offshore installations
Waste water treatment



| Technical specification | DT |
|-------------------------------------|------------|
| Process connection size, flanged | ANSI EN |
| Rating | ANSI EN |
| Extension length | |
| Construction | |
| Fill port | |
| Measuring principle | |
| Instrument connections (female) | |
| Sealing surfaces | |
| Material (wetted parts) | |
| Material (non wetted parts) | |
| Accuracy | |
| Minimum range span | |
| Filling liquids (temperature range) | |
| Mounting | |
| Weight dry in kg | |
| Accessories, options | |

General dimensions [mm]



| DN | PN | b | d1 | d2 | d3 | dM | f | g2 | k | x |
|-----|-----|------|-----|-----|------|----|-----|----------|-------|------|
| 50 | 40 | 57,5 | 165 | 102 | 48,3 | 45 | 3 | 4 x Ø 18 | 125 | 20 |
| 80 | 16 | 57,5 | 200 | 138 | 76 | 72 | 3,5 | 8 x Ø 18 | 160 | 20 |
| | 40 | 61,5 | 200 | 138 | 76 | 72 | 3,5 | 8 x Ø 18 | 160 | 24 |
| 100 | 16 | 57,5 | 220 | 158 | 94 | 90 | 4 | 8 x Ø 18 | 180 | 20 |
| | 40 | 61,5 | 235 | 162 | 94 | 90 | 4 | 8 x Ø 22 | 190 | 24 |
| 2" | 300 | 60 | 165 | 92 | 48,3 | 45 | 1,6 | 8 x Ø 20 | 127 | 22,5 |
| 3" | 150 | 61,5 | 191 | 127 | 76 | 72 | 1,6 | 4 x Ø 20 | 152,4 | 24 |
| | 300 | 66 | 210 | 127 | 76 | 72 | 1,6 | 8 x Ø 23 | 168,1 | 28,5 |
| 4" | 150 | 61,5 | 229 | 157 | 94 | 80 | 1,6 | 8 x Ø 20 | 190,5 | 24 |
| | 300 | 69,5 | 254 | 157 | 94 | 80 | 1,6 | 8 x Ø 23 | 200,2 | 32 |

| x1 | DN | Min span | DN | Min span |
|-----|-----|----------|----|----------|
| 50 | 50 | 1 bar | 2" | 1 bar |
| 100 | 80 | 0,6 bar | 3" | 0,6 bar |
| 150 | 100 | 0,6 bar | 4" | 0,6 bar |

Related to pressure gauges 100 mm and valid also for vacuum and compound ranges.

Order information

| Process connection | Diaphragm material | Flange material | Instrument connection | Rating | Flange Facing | Extension length | Filling fluid | Options |
|--------------------------------------|---|--|-----------------------|---------------------------------------|---|------------------|--|---|
| ANSI flange | (S) 316L (1.4435) | (S) 316Ti (1.4571) | (04T) ½ NPT female | ANSI flange | ANSI flange | (50) 50 mm | (CG) Glycerin (direct mounted, 0/400 °F, -18/204 °C) | (NH) Tagging wired |
| (20) 2" ¹⁾ | (P) Monel 400 | (TI) Titanium (only with Titanium diaphragm) | (15T) G ½ female | (150) 150 lbs | (RF) Raised face | (100) 100 mm | (CK) Silicone (direct mounted or with capillary ≤ 10' (3 m), -40/600 °F, -40/315 °C) | (6B) Oxygen cleaned (only filled with halocarbon) |
| (30) 3" ²⁾ | (H) Hastelloy C276 | | | (300) 300 lbs | | (150) 150 mm | | |
| (40) 4" ²⁾ | (G) Hastelloy B2 | | | | | (200) 200 mm | (EJ) Silicone (with capillary > 10' (3 m), -40/600 °F, -40/315 °C) | (115P) Stainless steel armored capillary with PVC sleeving ¹⁾ |
| EN flange Nominal Diameter | (TI) Titanium max temperature limit 480 °F, 250 °C | | | EN flange | EN flange | | (CF) Halocarbon (direct mounted or with capillary, -70/300 °F, -56/149 °C) | |
| (DN50) ¹⁾ | (U) Tantalum sheathing max temperature limit 480 °F, 250 °C | | | (PN16) ¹⁾ | The EN flange facing depends on nominal size and nominal pressure | | (HA) Syltherm 800 (direct mounted or with capillary, -40/750 °F, -40/400 °C) | |
| (DN80) ²⁾ | (SH) Halar coated (ECTFE) max temperature limit 300 °F, 150 °C | | | (PN40) | | | (GZ) Vegetable oil (direct mounted or with capillary, 32/248 °F, 0/120 °C) | |
| (DN100) ²⁾ | (SP) PFA coated max temperature limit 300 °F, 150 °C | | | | | | (NM) Neobee M-20 (direct mounted or with capillary, 0/320 °F, -17/160 °C) | |
| | (W) Gold plated | | | | | | | |
| ¹⁾ minimum span 1 bar | | others on request | others on request | ¹⁾ only for DN80 and DN100 | | | | ¹⁾ max. length 30 m, specify connections as per connection table and length in [mm], E. G. armored line with length 3 meters 115A-3000 |
| ²⁾ minimum span 0,6 bar | | | | others on request | | | | |

How to order

| Process connection | Type | Diaphragm material | Flange material | Instrument connection | Rating | Flange Facing | Extension length | Filling fluid | Option |
|--------------------|------|--------------------|-----------------|-----------------------|---------|---------------|------------------|---------------|--------|
| 20 | DT | S | S | 04T | 300 LBS | RF | 100 | CK | NH |

Ashcroft Instruments GmbH

Germany
Max-Planck-Str. 1, D-52499 Baesweiler
P.O. Box 11 20, D-52490 Baesweiler
Tel.: +49 (0) 2401 808-0, Fax: +49 (0) 2401 808-125

France
„206“ ZA Le Mandinet Rue des Campanules
F-77185 Lognes
Tel.: +33 (0) 1 60 37 25 30, Fax: +33 (0) 1 60 37 25 39

Website: www.ashcrofteurope.com

e-Mail: sales@ashcrofteurope.com

United Kingdom

Unit 5 William James House
Cowley Road, Cambridge CB4 0WX
Tel.: +44 (0) 12 23 39 55 00, Fax: +44 (0) 12 23 39 55 01