

## Type 320 Quick-Connect Diaphragm Seal



TYPE 320

### PRODUCT FEATURES

- 316L stainless steel diaphragm welded to a 316L stainless steel top housing.
- Fill/bleed connection
- Top housing and pressure instrument removable from process.
- Compatible with Tri-Clover and Cherry Burrell S line connections

### PRODUCT INFORMATION

- The 1½"-Type 320 is for use on most 3½" and smaller size gauges; the 2"-Type 320 can be attached to gauges up through 4½" size.
- Quick-connect clamps, gaskets or bottom housings are not supplied.
- Can be used with pressure gauges, switches and transducers.
- Maximum operating pressure and temperature is determined by the gaskets and clamping devices used in the piping system.

The Ashcroft® Type 320 quick-connect diaphragm seal is designed especially for those applications that require ease of dismantling and re-assembly and do not require a 3A standard rating in accordance with sanitary standard 74-00. Typical applications include the pharmaceutical, dairy, food processing, bio-technology, and filtration markets. Also included are breweries, distilleries, wineries and citrus juice production plants.

### SPECIFICATIONS

**Model Number:** Type 320

**Process Connection Size:** 1½", 2"

**Instrument Connection Size:** ¼", ½ NPT

**Diaphragm Material:** 316L SS

**Bottom Housing Materials:** 316L SS

**Filling Fluid:** Glycerin, Silicone, Halocarbon, Syltherm

## Type 320 Quick-Connect Diaphragm Seal

**Table A – Process Conn. (Tri-Clamp)**

Process Connection	Size	Code
Tri-Clamp	1½	15
Tri-Clamp	2	20

**Table B – Type**

Description	Code
Quick-Connect Diaphragm Seal	320

**Table C – Diaphragm Material**

Material	Code
316L SS	S

**Table D – Housing Materials**

Bottom <sup>(1)</sup>	Code	Top <sup>(2)</sup>
316L SS	S	316L SS

(1) Other bottom housing materials on application.

(2) Top housing material is 316L SS (standard).

**Table E – Instrument Connection**

Instrument Connection	Size	Code
NPT	¼	02T
NPT	½	04T

**Table F – Filling Fluid**

Fill	Service	Connection to Instrument	Temperature Range °F	Code
Glycerin	Pressure	Direct Only	0/400	CG
Silicone	Pressure/Vacuum	Direct or Flexible Line	-40/600	CK
Halocarbon	Pressure/Vacuum in presence of strong oxidizing agent	Direct or Flexible Line	-70/300	CF
Syltherm	Pressure	Direct or Flexible Line	-40/750	HA

Monel is a registered trademark of Huntington Alloys, Inc.

Hastelloy is a registered trademark of Cabot Corp.

Halocarbon is a registered trademark of Halocarbon Products

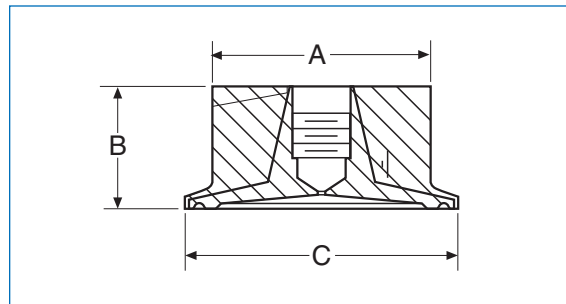
GYLON 3510 is a registered trademark of Garlock Inc.

### HOW TO ORDER:

1. From Table A...select PROCESS CONNECTION, TriClamp conn 1½ (15 code), 2" (20 code)
2. From Table B...select TYPE NUMBER, Quick-connect Diaphragm Seal (320 code)
3. From Table C...select DIAPHRAGM MATERIAL. (e.g., 316L SS (code S))
4. From Table D...select HOUSING MATERIAL. (e.g., 316L SS (code S))
5. From Table E...select INSTRUMENT CONNECTION size. (e.g., ¼ NPT—code 02T)
6. From Table F...select FILLING FLUID, if diaphragm seal will be attached to instrument. (e.g., Glycerin—code CG)

Coded order: 15-320SS-02T-CG

### TYPE 320 Quick-Connect



### Type 320 Quick Connect – ¼, ½ NPT

Size	A		B		C	
	in	mm	in	mm	in	mm
1½"	12.50	(42)	.875	(22)	2	(50)
2"	2	(51)	1.125	(29)	2.50	(63)