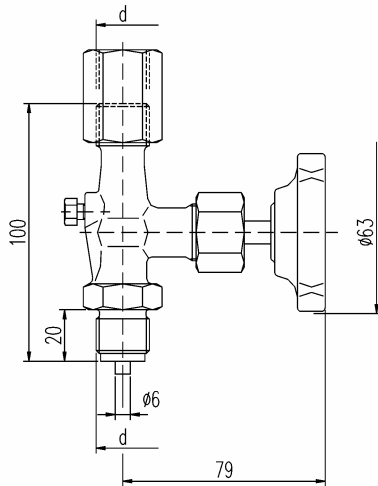
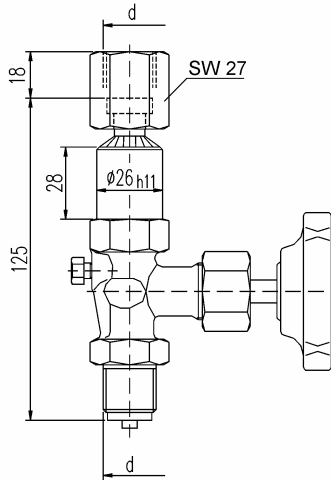


Pressure gauge valve DIN 16 270

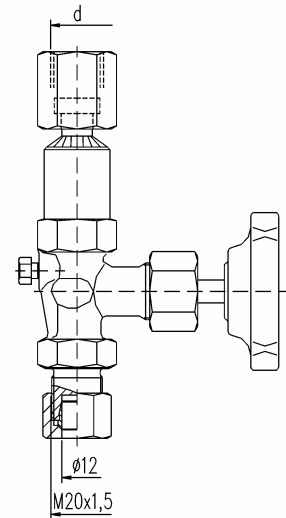
Design A
with adjusting nut
DIN 16 283



Design B
with swivel nut and shaft for
pressure gauge support



Design B-AS12



tube fitting O. D. 12 mm line S

Please note: Pressure gauge valves with thread 1/2 NPT see catalogue page 9.27

MOUNTING ACCESSORIES see section 10

PN ³⁾	Connection thread d	Material	Part no.		
			Design A	Design B	Design B-AS12
250 400 400	G 1/2	brass	15-V02-0A-MS-51-250	15-V02-0B-MS-51-250	15-V02-0BA-MS-51-250
400		steel	15-V02-0A-SC-51-400	15-V02-0B-SC-51-400	15-V02-0BA-SC-51-400
400		st. stl.	15-V02-0A-SS-51-400	15-V02-0B-SS-51-400	15-V02-0BA-SS-51-400
250 400 400	M20x1,5	brass	16-V02-0A-MS-88-250	-	-
400		steel	16-V02-0A-SC-88-400	-	-
400		st. stl.	16-V02-0A-SS-88-400	-	-

Components	Brass ¹⁾	Steel	Stainless steel ¹⁾
	DIN-Material Number		
Body ²⁾	brass	1.0460	316Ti (1.4571)
Valve stem	1.4104		316Ti (1.4571)
Needle tip	1.4104		316Ti (1.4571)
Packing	PTFE up to 200 °C special packing up to 250 °C		
Union nut	steel		stainless steel
Adjusting nut	steel		stainless steel
Swivel nut	brass	steel	stainless steel
Vent screw	316Ti (1.4571)		
Hand wheel	plastic		

Abbreviation acc. to DIN	Material	Temperature rating
10 Ms	brass	-10 to +120 °C
10 St	steel	-10 to +120 °C
20 St	stainless steel	-20 to +200/250 °C

- **Body:** brass: pressed part
steel/stainless steel: die-pressed part
- **Surface:** steel phosphatized
- Internal stem thread
- Stem with cold rolled surface and non-rotating needle tip

¹⁾ Can also be supplied for oxygen service.
Please notice order instruction B 3!
²⁾ Available with inspection certificate 3.1.B acc. to EN 10 204
³⁾ Valves with PN 640 on request