

# Industrial stainless steel case gauges with bayonet ring, Model 4009

According ASME B40.1/EN 837  
Nominal size 63 mm and 100 mm

## Features

- Rugged construction
- Protection IP54 and IP65
- Overload protection 130 %
- Dry or liquid filled

## Ranges

-1 ... 0 bar up to 0 ... 600 bar  
-30 in. Hg ... 0 psi up to 0 ... 10.000 psi

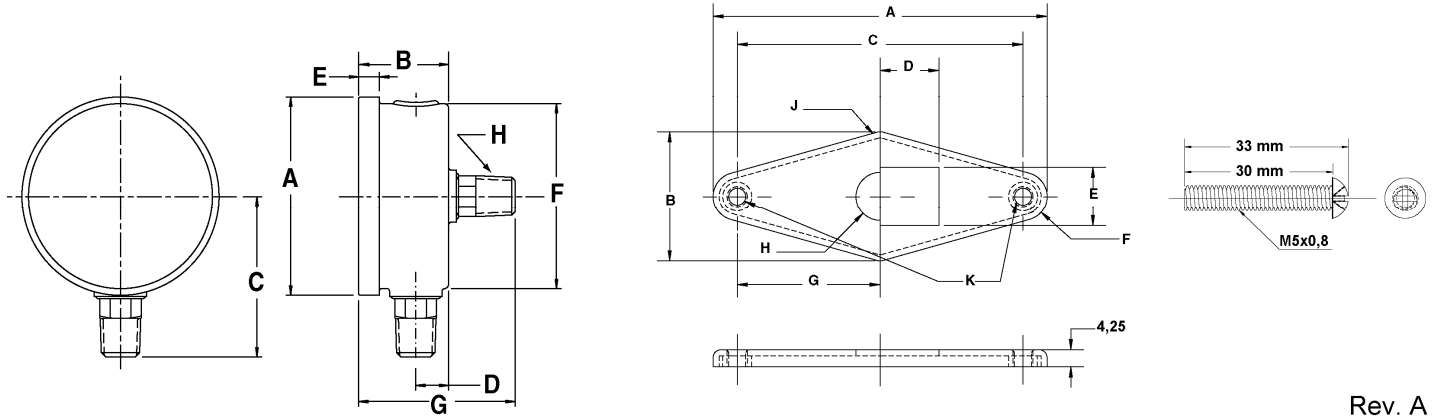
## Applications

Chemical and petrochemical industry  
Machine and apparatus construction  
Food and beverage industry  
Pulp and paper industry



Technical specification	4009=B						4009=S								
	63			100			63								
Dial size in mm	63			100			63								
Construction	Open front with bayonet ring														
Measuring principle	Bourdon tube with conventional movement														
Range in bar	1	1,6	2,5	4	6	10	16	25	40	60	100	160	250	400	600
Overpressure limit	-1/0	-1/1,5	-1/3	-1/5	-1/9	-1/15									
Pressure type	130 % F.S., short time Gauge, vacuum and compound														
Process connection	¼ NPT male, G ¼ B male						¼ NPT male, G ¼ B male								
Connection location	Lower, back			½ NPT male, G ½ B male Lower			Lower, back								
Material	Brass Bronze Stainless steel 304 (1.4301)						Stainless steel 316 (1.4401) Stainless steel 316 (1.4401)								
Pressure connection	Brass						Stainless steel 316 (1.4401)								
Tube	Bronze						Stainless steel 316 (1.4401)								
Case/ring	Stainless steel 304 (1.4301)						Stainless steel 316 (1.4401)								
Window	Acrylic, optional instrument glass						Stainless steel 316 (1.4401)								
Dial	Aluminum, black markings on white background						Stainless steel 316 (1.4401)								
Pointer	Aluminum, black						Stainless steel 316 (1.4401)								
Movement	Brass						Stainless steel 316 (1.4401)								
Accuracy	Grade A (2-1-2 %) according to ASME B40.1, optionally Class 1,6 according to EN 837-1														
Permissible	-25 ... 60 °C Max. 100 °C -40 ... 65 °C Max. 0,3 % / 10 K														
Ambient temperature	-25 ... 60 °C														
Medium temperature	Max. 100 °C														
Storage temperature	-40 ... 65 °C														
Effect	Max. 0,3 % / 10 K														
Protection according EN 60 529/IEC 529	IP54 (dry), IP65 (liquid filled), optional IP65 for dry gauges														
Filling liquids	Glycerin or silicone														
Mounting	Stem, optional flush														
Weight dry/filled in kg	0,25/0,4			0,4/0,6			0,25/0,4								
Accessories, options	Diaphragm seals, valves														

## General dimensions in mm



Rev. A

Dial size	A	B	C	D	E	F		G	H
						lower	back		
63	66	29	53	10	10	62		52	1/4"
100	109	36	80	12	14	98	-	-	1/4", 1/2"

Dial size	A	B	C	D	E	F	G	H	J	K
63	83	32	71	14,6	14,2	12	35,5	6	2,5	M5x0,8

Panel mounting assembly for 63 mm

## Order information

Size	System Material	Execution	Process connection	Connection orientation	Range	Engineering units	Filling liquid	Options
(63) 63 mm	(S) 316 (1.4401) tube and socket (not for dial size 100 mm)	(D) Standard dry IP54	(02) ¼ NPT male	(L) Lower	-1/ 0 -1/ 1,5 -1/ 3	(BAR)	(=) Standard no filling or Glycerin with execution (L)	(NH) Tagging wired
(100) 100 mm (not for system S)	(B) Bronze tube and Brass socket	(L) Liquid filled with Glycerin, IP65, standard accuracy Grade A	(13) G ¼ B male (04) ½ NPT male <sup>1)</sup> (15) G ½ B male <sup>1)</sup>	(B) Back (not for dial size 100 mm)	-1/ 5 -1/ 9 -1/ 15  0/ 1 0/ 1,6 0/ 2,5 0/ 4 0/ 6 0/ 10 0/ 16 0/ 25 0/ 40 0/ 60 0/100 0/160 0/250 0/400 0/600		(GV) Silicone	(ON) Neutral, without logo (UC) U-clamp (only back connection, not for dial size 100 mm) (LJ) Field fillable, IP65 (CS) Dual scale (GRA) Accuracy Grade A (GRC) Accuracy Class 1,6
			<sup>1)</sup> only for dial size 100 mm					

## Order example

Size	Type	System material	Execution	Process connection	Connection orientation	Range	Engineering unit	Filling liquid	Options
63	4009	B	D	13	L	0/16	BAR	=	GRC

## Ashcroft Instruments GmbH

Germany  
Max-Planck-Str. 1, D-52499 Baesweiler  
P.O. Box 11 20, D-52490 Baesweiler  
Tel.: +49 (0) 2401 808-0, Fax: +49 (0) 2401 808-125

France  
„206“ ZA du Mandinet, 1/3 Rue des Campanules  
F-77185 Lognes  
Tel.: +33 (0) 1 60 37 25 30, Fax: +33 (0) 1 60 37 25 39

Website: [www.ashcroft.eu](http://www.ashcroft.eu)

e-Mail: [sales@ashcroft.com](mailto:sales@ashcroft.com)

United Kingdom  
Unit 5 William James House  
Cowley Road, Cambridge CB4 0WX  
Tel.: +44 (0) 12 23 39 55 00, Fax: +44 (0) 12 23 39 55 01