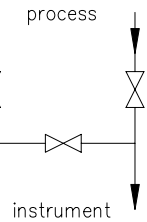
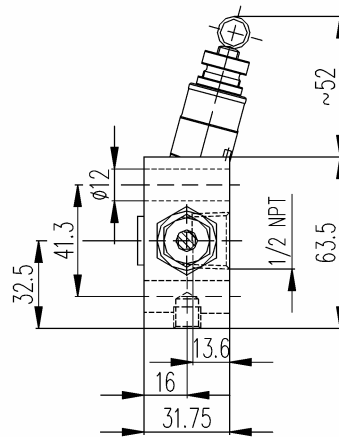
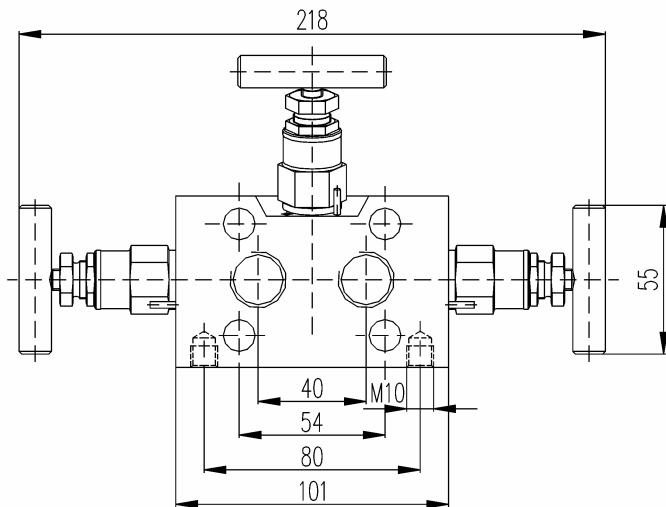
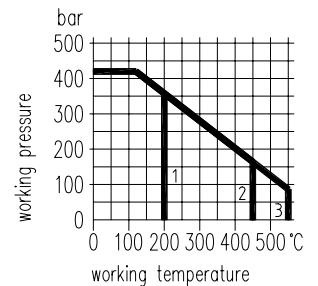
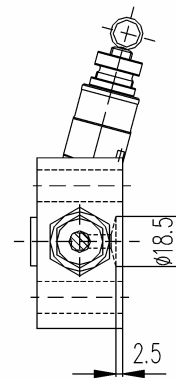
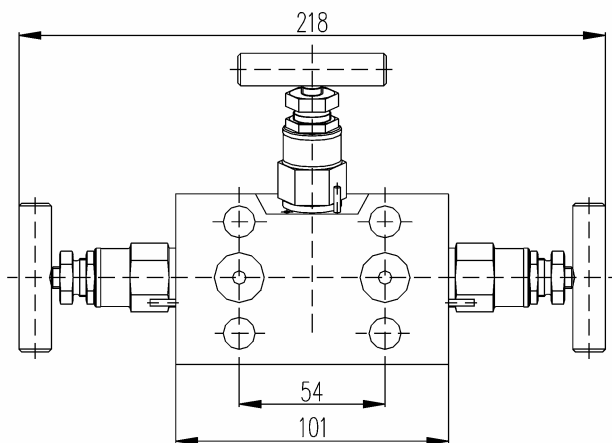


3 valve manifold PN 420 DN 5 for direct mounting according to IEC 61518



- 1 PTFE packing
- 2 graphite packing - 1.0460
- 3 graphite packing - 1.4404



MOUNTING ACCESSORIES see section 8

| Material | Connections | | Part no. |
|-------------------|---|----------------------|--|
| | Inlet | Outlet ⁴⁾ | |
| steel st. stl. | 1/2 NPT female | IEC, Type A | 50-V02-3A-SC-DN5-PN420 50-V02-3A-SS-DN5-PN420 |
| steel st. stl. | turned groove \varnothing 18,5 acc. to IEC 61518 | | 50-V02-3IEC-SC-DN5-PN420 50-V02-3IEC-SS-DN5-PN420 |

| Components | Steel | Stainless steel ¹⁾ |
|--------------------------|--|-------------------------------|
| | DIN-Material Number | |
| Body ²⁾ | 1.0460 | 316L (1.4404) |
| Bonnet | 316 (1.4401) | |
| Valve stem | 316L (1.4404) | |
| Needle tip ³⁾ | 1.4122 ⁵⁾ | 316Ti (1.4571) |
| Packing | PTFE up to 200 °C (graphite up to 550 °C) | |
| Gland nut | 1.0501 | 304 (1.4301) |
| T-handle | stainless steel | |

- Surface: steel phosphatized
- External stem thread
- Stem with cold rolled surface, back seat and non-rotating needle tip
- Special types are available
- The manifolds can be supplied according to NACE-standard

¹⁾ Can also be supplied for oxygen service.

Please notice order instruction B 3!

²⁾ Available with inspection certificate 3.1.B acc. to EN 10 204

³⁾ Also available with soft tip in KEL-F® (PTFE) or Delrin® (POM)

⁴⁾ Dimensions according to IEC document 65 B, Type A see order instruction B 4

⁵⁾ 1.4122 quenched and tempered

All specifications are subject to change without notice.