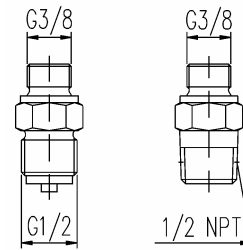
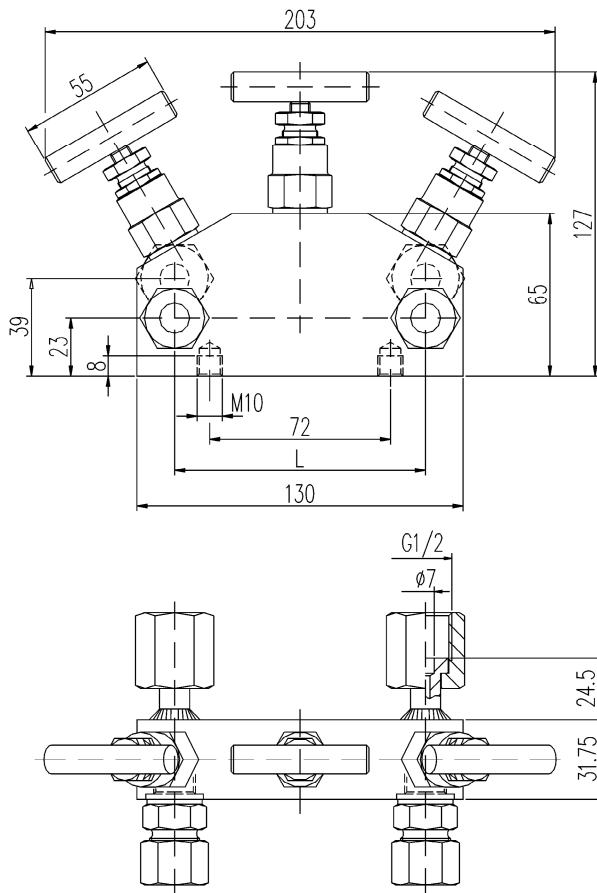
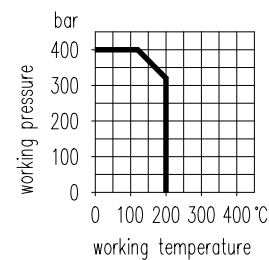
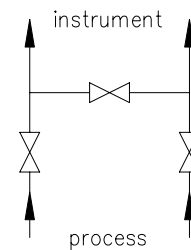


3 valve manifold PN 400 DN 4 for differential pressure gauges



male connectors ³⁾



Material	Distance L [mm]	Connections		Part no.
		Inlet	Outlet	
steel st. stl.	37	tube fitting O. D. 12 mm line S, G 3/8	swivel nut G 1/2	TF12-V02-3-SC-51-L37 TF12-V02-3-SS-51-L37
steel st. stl.	54			
steel st. stl.	100			
st. stl.	37	Fixed thread 1/2 NPT male	Turning nipple G 1/4 male	04-V02-3-SS-13-L37
st. stl.			swivel nut G 1/2	04-V02-3-SS-51-L37

Components	Steel	Stainless steel ¹⁾
	DIN-Material Number	
Body ²⁾	1.0460	316L (1.4404)
Bonnet	316 (1.4401)	
Valve stem	316L (1.4404)	
Needle tip	1.4122 v.	316Ti (1.4571)
Packing	PTFE	
Gland nut	1.0501	304 (1.4301)
T-handle	stainless steel	

- Surface: steel phosphatized
 - External stem thread
 - Stem with cold rolled surface, back seat and non-rotating needle tip.
 - Special types are available
- ¹⁾ Can also be supplied for oxygen service.
Please notice order instruction B 3!
- ²⁾ Available with inspection certificate 3.1.B acc. to EN 10 204
- ³⁾ The manifolds can be supplied with male connectors G 1/2 or 1/2 NPT instead of tube fittings on the inlet ports.
- ⁴⁾ 1.4122 quenched and tempered