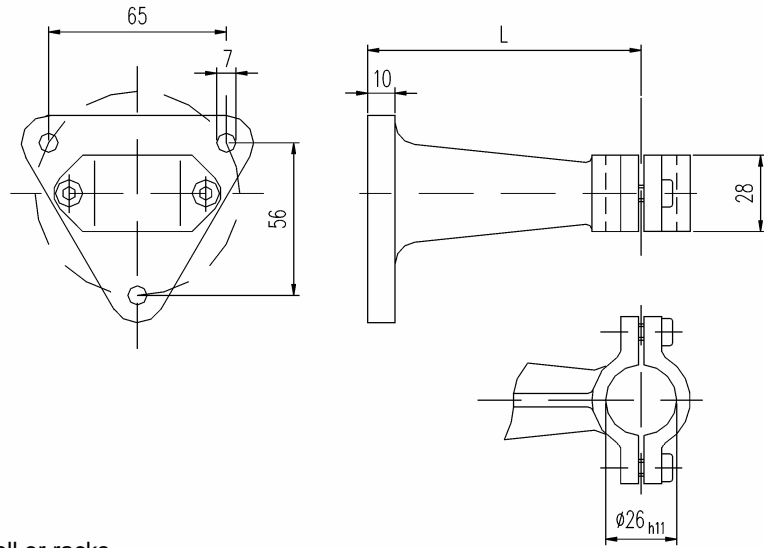
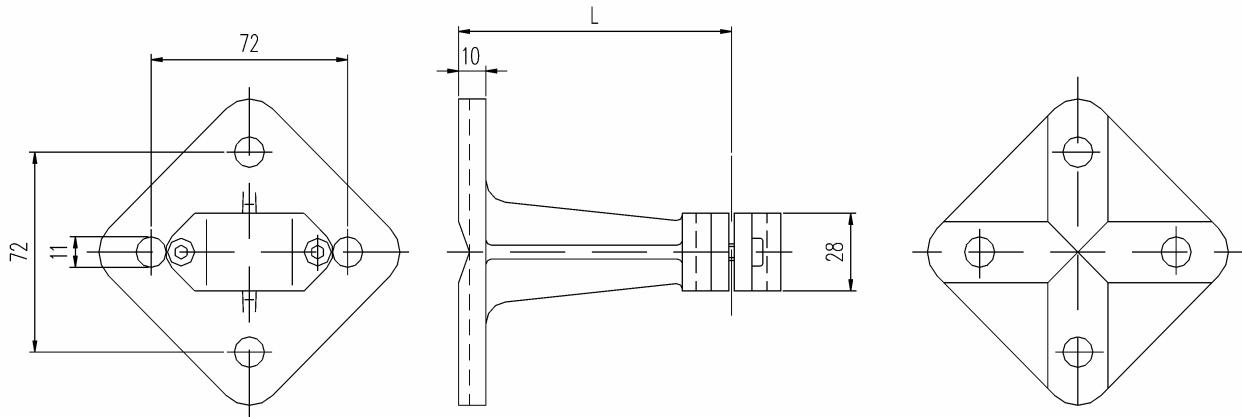


Pressure gauge support DIN 16 281

Form H
wall mounting type



Form A
for mounting to 2" NB pipes, wall or racks



Accessory kit for mounting to 2" NB pipes see catalogue page 8.06.

L	Type		Material	Surface	Part no.
	Design				
60 100 160	H		aluminum	black lacquered	PGS-H-H-60 PGS-H-H-100 PGS-H-H-160
100	H		stainless steel		PGS-H-SS-100
100	A		malleable cast iron	galvanized and primed	PGS-A-B-100

Components	Design H		Design A
	Material		
	Aluminum	Stainless steel	Malleable cast iron
Pressure gauge support	aluminum	sheet construction made of 316Ti (1.4571)	malleable cast iron
Bolts	steel galv.	316Ti (1.4571)	-
Bolts with hexagon socket hex. 5	-		steel galv.

- Screws for wall mounting are not included in the scope of supply.